

## A6 DUCT

### Feature



Sleep Mode



Anti-cold Air Function



Independent Dehumidification



Auto Defrosting



2-way Draining



Auto Restart Function



Timer



Wired Control



Low Ambient Cooling



Fresh Air



Build-in Drain Pump

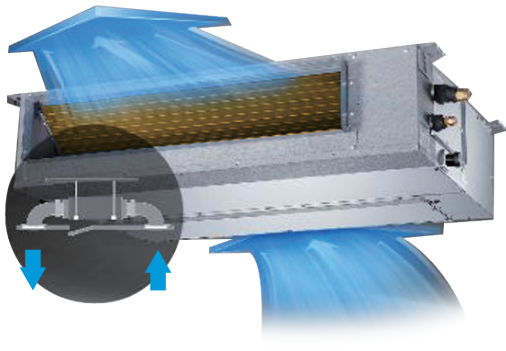
### Appearance



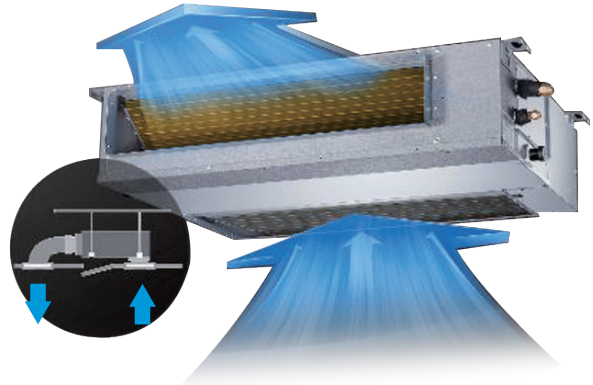
# Flexible Installation

## Flexible Air Intake

The frame size of air inlet in rear and bottom is the same. It's very easy to switch to match different applications.



Air intake from rear  
(Standard)



Air intake from bottom  
(Optional)



### High Static Pressure up to 160Pa

This unit can be installed in various applications that requires static pressure of 160Pa.



### Built-in Drain Pump

The drain pump can lift the condensing water up to 750mm, which is convenient to install drainage pipes under most conditions.

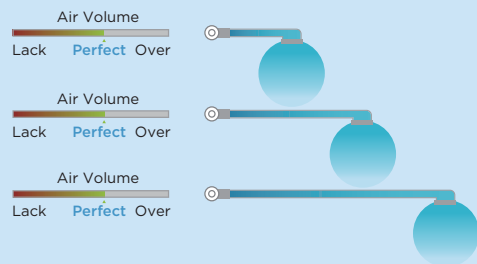


### Slim Design

The A6 duct is much slimmer thanks to the redesigned overall structure. It now requires less space for installation.

## Constant Air Volume Control

With constant air volume control technology, optimal airflow cools every room consistently and accurately with both short pipes and long pipes.



# Easy Maintenance

A6 duct allows operators maintain the motor from the bottom more easily.  
A6 duct has big space for maintenance at the side.



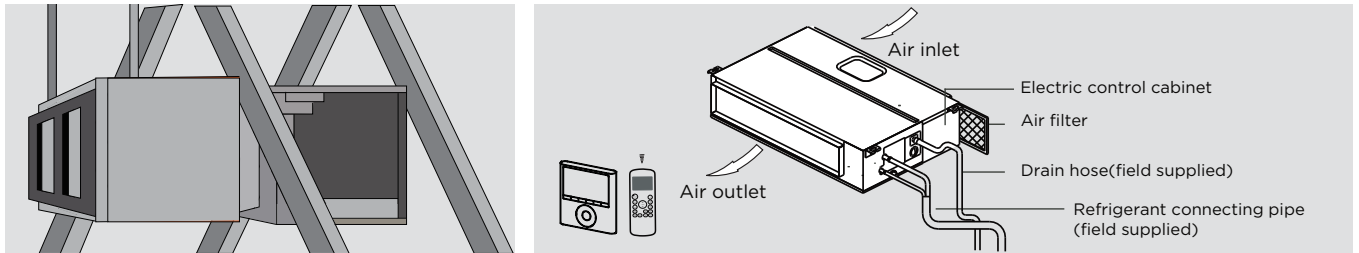
# Easy Clean

You can pull out the filter from left, right, or from the bottom for easy cleaning.  
With a larger window design, once the motor and the blower wheels have been detached, heat exchanger and water receiver tray in behind can be seen very clearly. Dust can be easily removed from the inside.



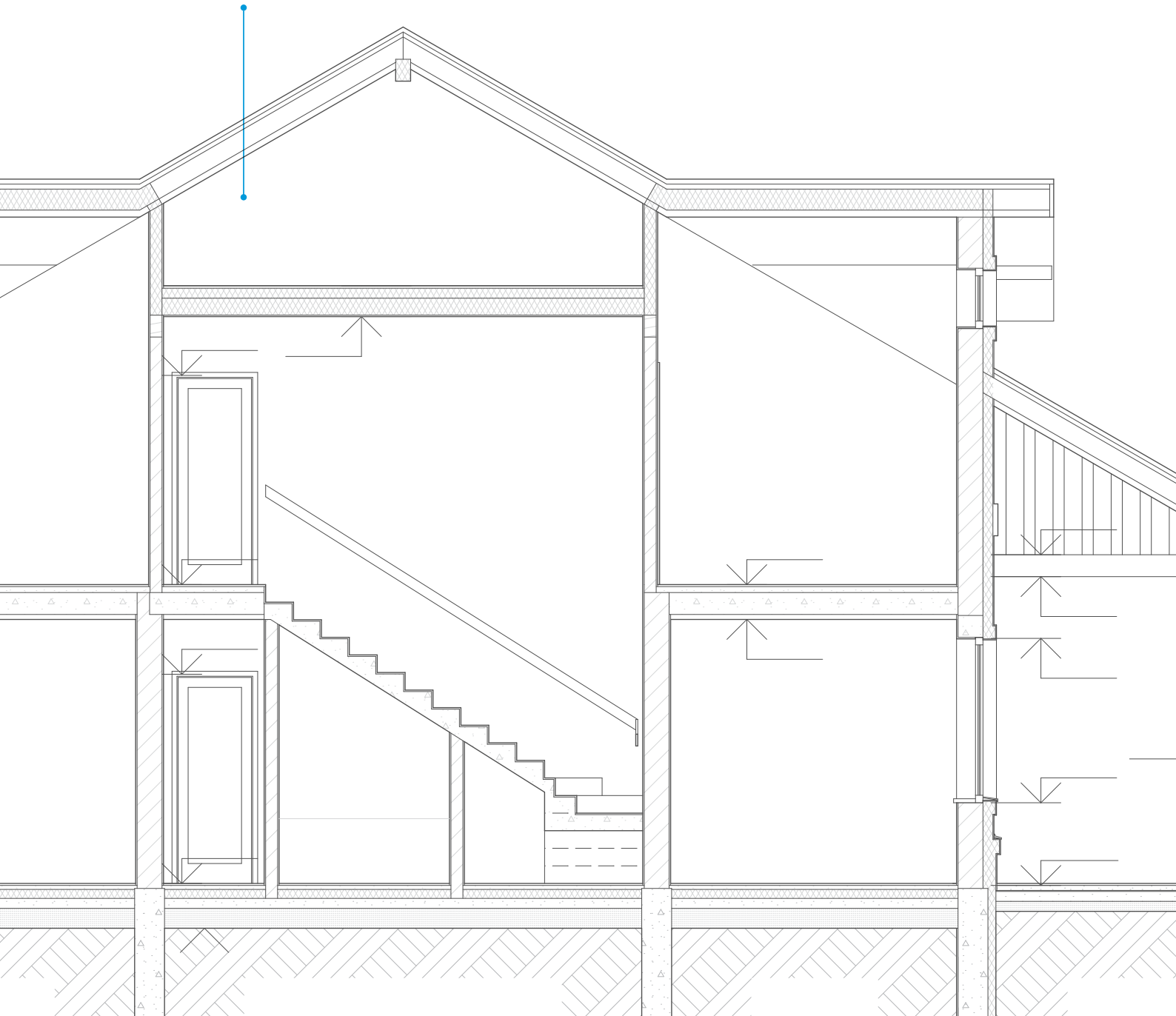
# Midea Ducted Systems

Midea Ducted system can provide air conditioning through the air ducts and provide cooling or heating comfort for the whole house. Since it is concealed in the ceiling, only the wired controller and air grilles are visible inside the room. Its invisible beauty can fit harmoniously to your interior design and make your room more esthetic, bringing you more beautiful and comfortable home.



Ducted Systems

\*Images are for illustration purposes only.







Outlet Grille

Outlet Grille

Air Return

Outlets

Outdoor Unit